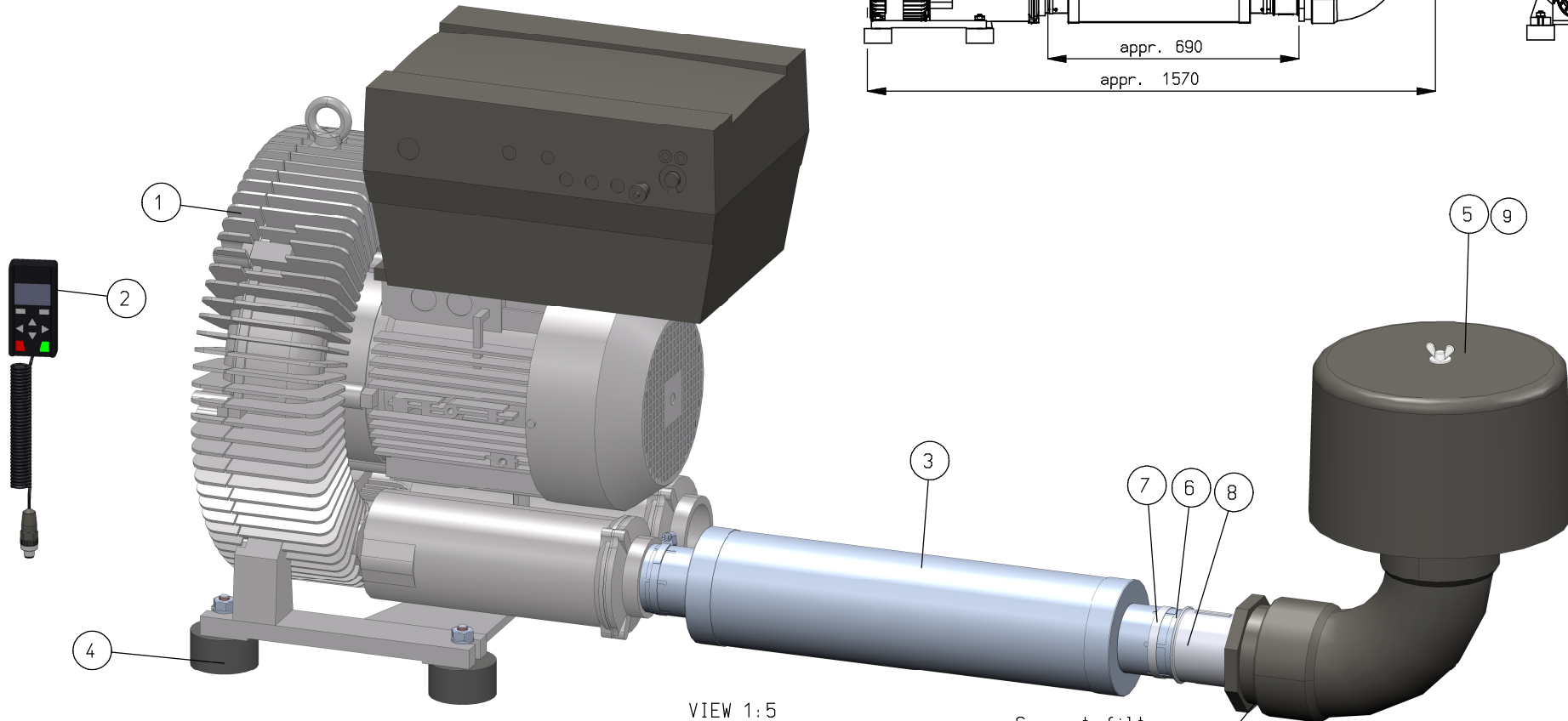
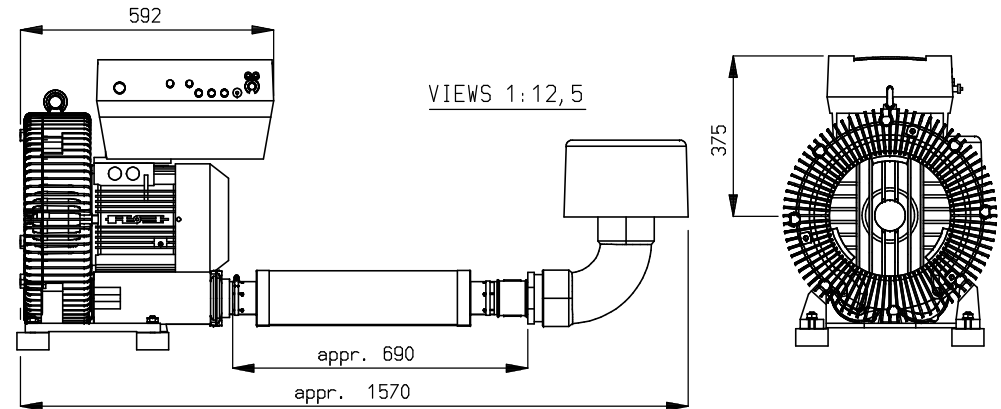


Parts list

No.	Qa.	Part No.	Description	Dwg. No.
1	1	6750290022	Blower 12,9kW, IE2, 400V, built on FC	
2	1	6750299102	Control-unit MMI handheld	
3	1	6799225210	Inline silencer	
4	1	6799225218	Anti vibration feet (set)	
5	1	6799143510	Suction filter	
6	1	6799225209	Nipple 2½''	
7	1	9146070200	Hose clamp 65-85mm	
8	1	9290060154	Socket female 2½''	-
9	1	6799143560	Filter element	



VIEW 1:5

Support filter
when using silencer

NOTE: Sound pressure level 62 dB(A) at 50Hz
 Sound pressure level 66 dB(A) at 60Hz
 Sound pressure level 73 dB(A) at 86Hz
 when using inlet silencer (8 dB(A))
 measured at a distance of 1m, tolerance ± 3 dB(A)
 total weight: appr. 170 kg

Roughness acc. to ISO 1302	Dimensions tolerated acc. to ISO 129	Tolerances of form and position acc. to ISO 1101	Dimensions in mm.	Rev.	Description	Chk.	Date					
SIMCO ION An ITW Company www.simco-ion.nl Tel: +31 (0)573 288333		Copyright © SIMCO (NederLend) BV		(XX) Control dim.								
				Range (mm)	0,5 - 3	>3 - 6	>6 - 30	>30 - 120	>120 - 315	>315 - 1000	>1000 - 2000	>2000 - 4000
				Middle	±0,1	±0,1	±0,2	±0,3	±0,5	±0,8	±1,2	±2
				Rough	±0,15	±0,2	±0,5	±0,8	±1,2	±2	±3	±4
Name: Blower configuration 1800 +Suct.filter +Inf.FC 12,9kW				Drawn: BSG	Part no.: 1484180120							
CAD GENERATED NOT AUTOMATICALLY UPDATED		Date: 5-6-2014	M: 1:5 A3		Check:	Dwg. no.: 14841802						