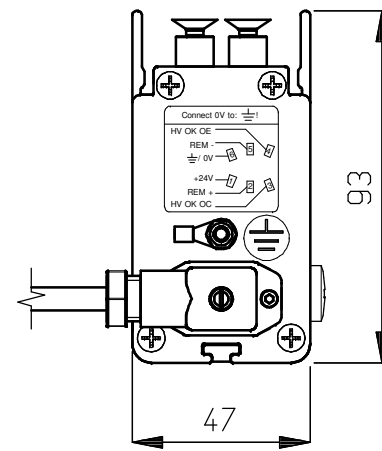
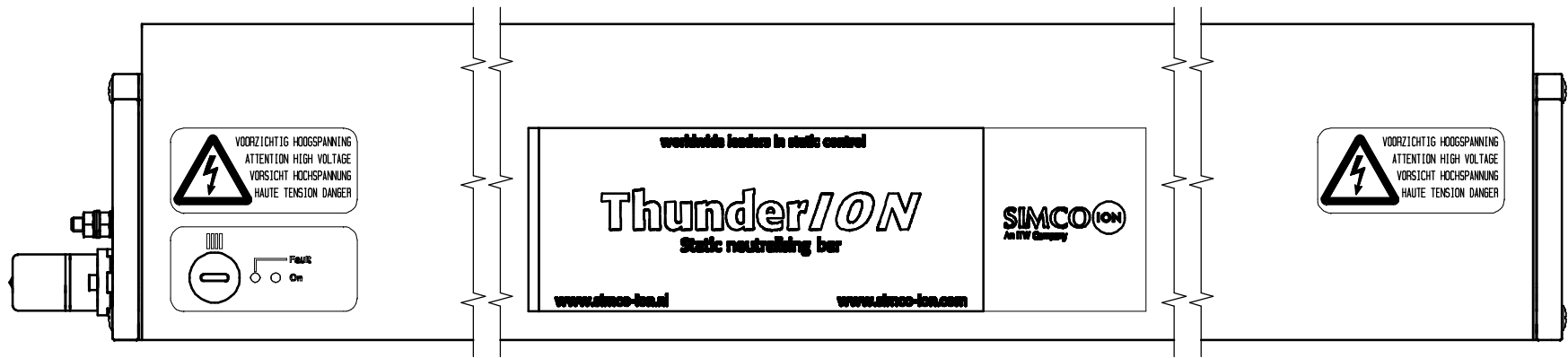
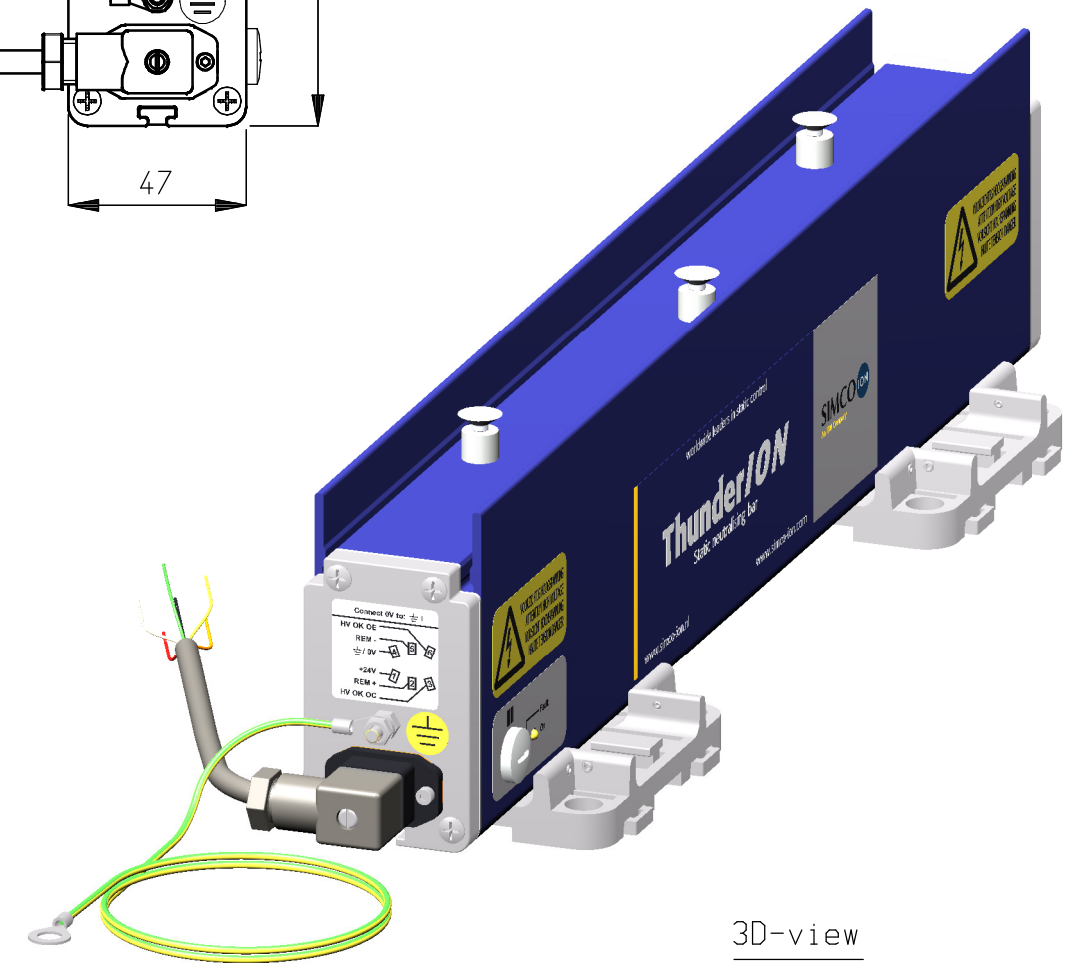
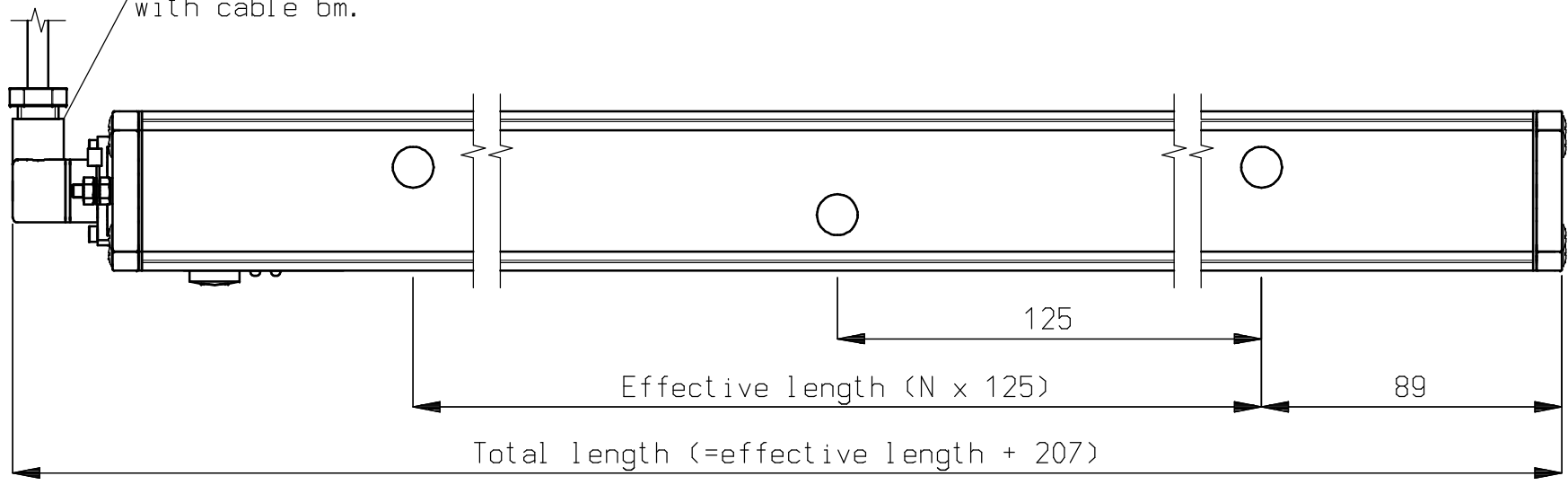


Bracket	
Bar length	QTY
455 - 1205	2
1330 - 1705	3
1830 - 2205	4
2330 - 2705	5
2830 - 3205	6
3330 - 3705	7
3830 - 4205	8

(part no. 7510900157)



Optional: Connector 24V DC with cable 6m.



<p>SIMCO ION An ITW Company www.simco-ion.nl Tel: +31 (0)573 288333</p>	Name: Static Neutralising Bar ThunderION (ceramic)					Drawn: MVN	Part no.: 1510-
	CAD generated NOT updated	Dimensions in mm	Date: 26-11-2010	A3	M: 1:2	ECN2012-023	Check: -