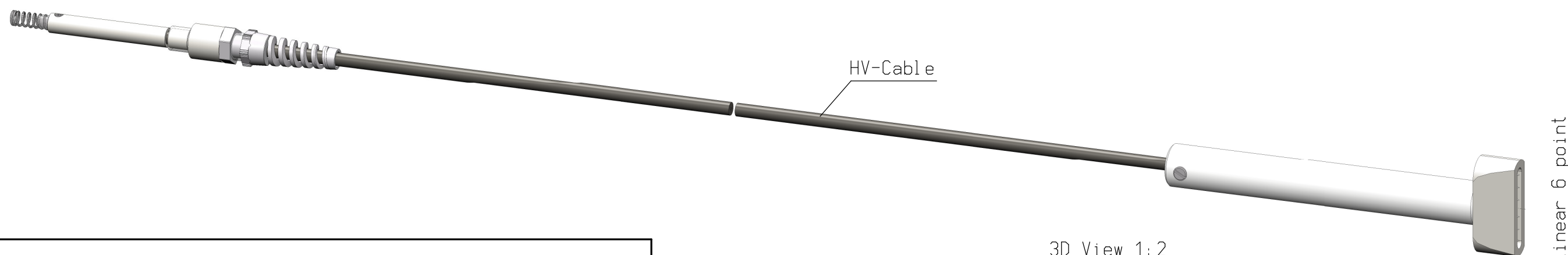
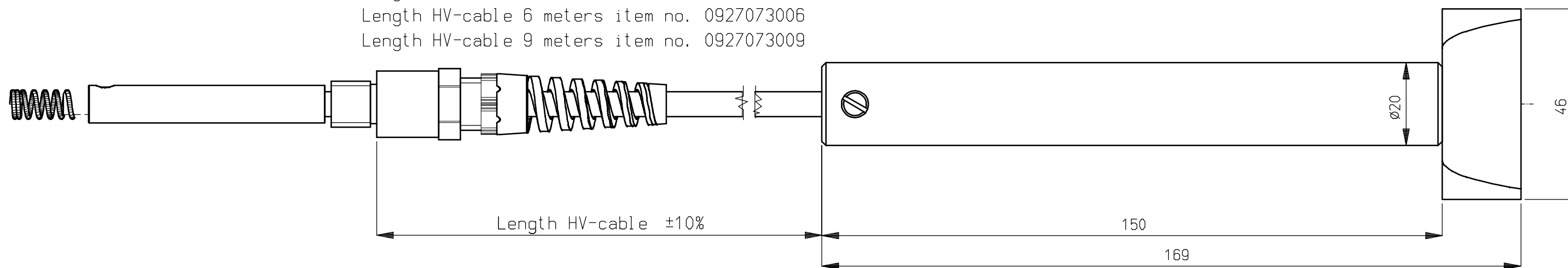


Length HV-cable 3 meters item no. 0927073003
 Length HV-cable 6 meters item no. 0927073006
 Length HV-cable 9 meters item no. 0927073009

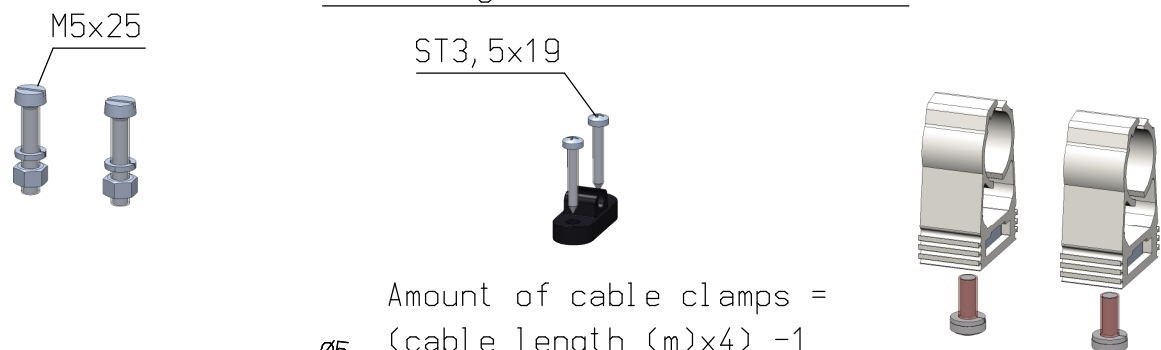


3D View 1:2

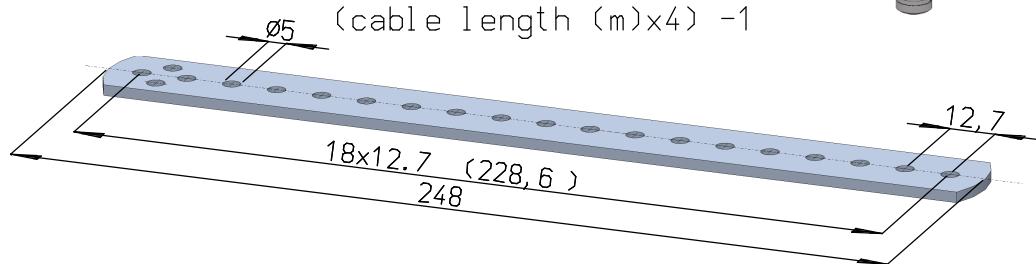
Linear 6 point

Detail head

Mounting materials included



Amount of cable clamps =
 (cable length (m) x 4) - 1



Supply voltage max. 30 kV DC

		Name: Charging electrode Pinner Linear 6 point			Drawn: AB	Part no.: -
<small>CAD generated</small> <small>NOT updated</small>	<small>Dimensions</small> <small>in mm</small>	Date: 9-5-2023	A3 M: 1:1		<small>ECN-335</small>	<small>Check: -</small> <small>Dwg. no.: 09270070/F</small>