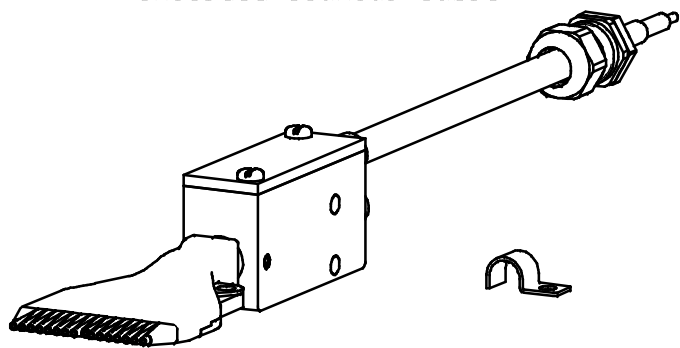


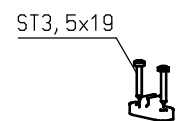
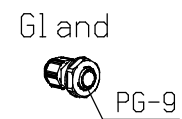
Cable exit option

Shielded coaxial cable

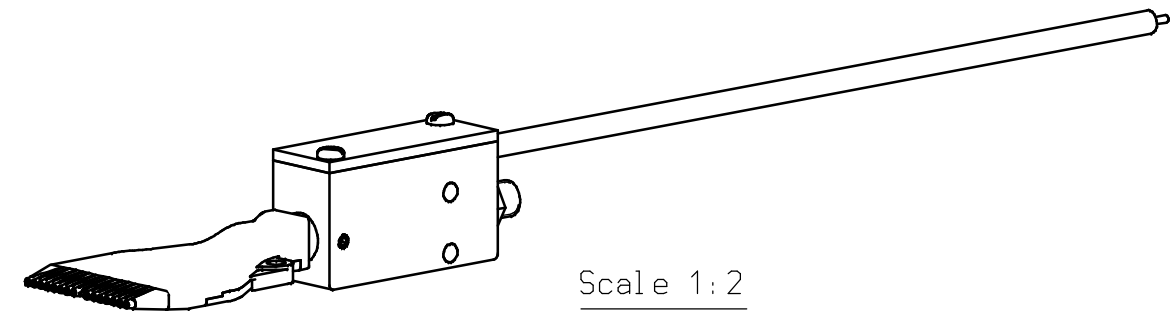


Metal cable clamps included with shielded cable

Mounting materials included



Amount of cable clamps =  
 $(\text{cable length(m)} \times 4) - 1$   
 (only with standard HV-cable)



Scale 1:2

 An ITW Company www.simco-ion.nl Tel: +31 (0)573 288333	Name: <b>Ionising air nozzle type FLAT 1</b>				Drawn: AB	Part no.: <b>161401xxxx</b>
	CAD generated NOT updated	Dimensions in mm	Date: 22-01-2009	A3 M: 1:1	ECN2018-027	Check: -