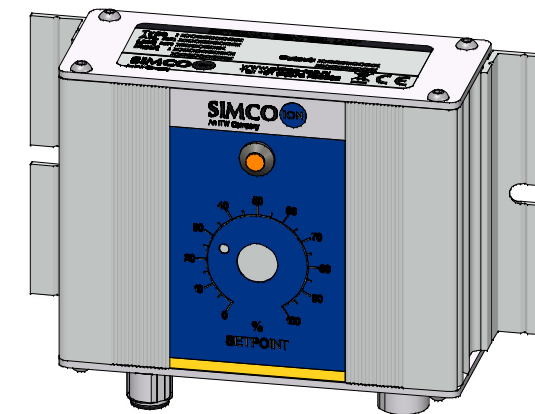
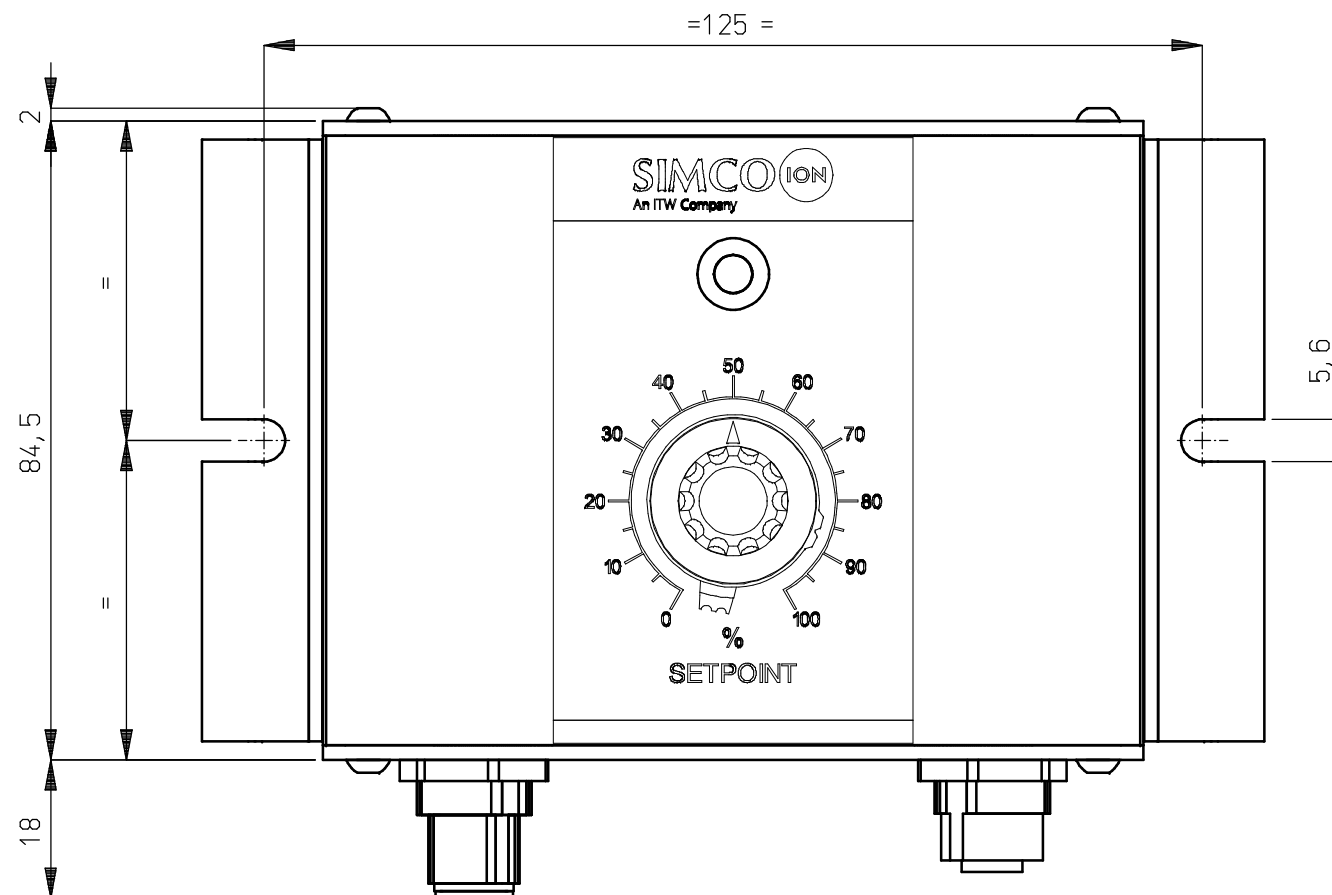


A



B & C



PART NO.		TYPE
3985000300	A	Setpoint on External Control Unit
3985000310	B	External Setpoint 0-10 V
3985000324	C	External Setpoint 0-24 V