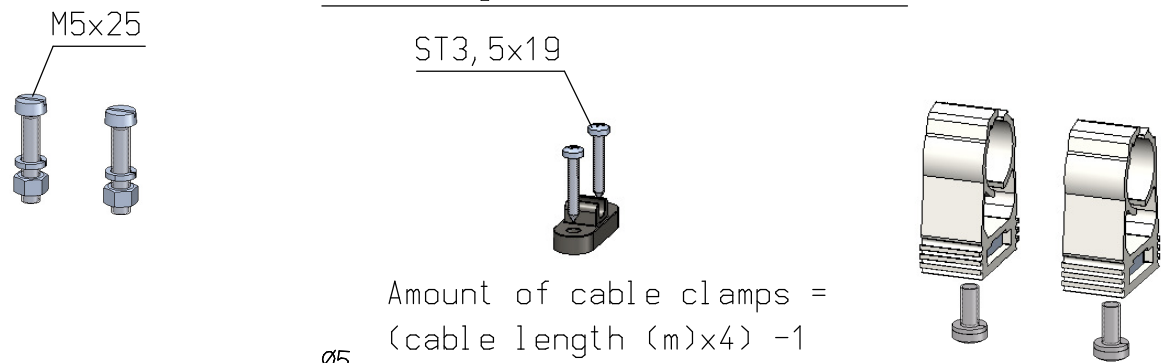


Mounting materials included



Amount of cable clamps =
(cable length (m) x 4) - 1

Supply voltage max. 20 kV DC

 An ITW Company	Name: Pinner Blade-JBH (connector for J-Block Head)					Drawn: AB	Part no.: -
	CAD generated NOT updated	Dimensions in mm	Date: 27-8-2015	A3	M: -	ECN-	Check: -