



ThunderION

With certain production processes its necessary to ionise at such a long distance where classical AC anti-static bars aren't sufficient enough, for example winding and rewinding of webs where the diameter of the re-winding section changes continuously. Also with bagmaking machines type Wicketer it's necessary to ionise from a long distance as moving machine parts hinder short range ionising. With the ThunderION a new technique is being used were long range ionisation is possible without air support, as transportmedium for the ions.

The ThunderION offers long distance static elimination even up to one meter. The robust design of the reinforced extruded profile allows the use in industrial environment up to even 3 m length. The disc shaped emitters produce a high and balanced ion output. When accidentally damaged they can easily be replaced. The ThunderION has an integrated high voltage power supply and requires only a low voltage input of 24V DC. The new concept for long range ionisation is achieved with a combination of pulsed DC and a low frequency. Two LED's visualise bar ON or bar FAULT. An incorporated overload detection will temporarily switch off the high voltage in the event a short circuit may occur.

- + ⚡ Bar FAULT indicator, red LED
- + ⚡ Remote I/O, Bar operating OK

Features

- + ⚡ Enhanced working distance (30-100 cm), no air assist
- + ⚡ Integrated high voltage power supply
- + ⚡ Low Voltage input 24 V DC, no high voltage cables
- + ⚡ Revolutionary replaceable emitter design, disc type high and balanced ion output.
- + ⚡ Robust design, reinforced extruded plastic profile
- + ⚡ Easy installation, slot profile at the rear for easy mounting
- + ⚡ Pulse frequency, adjustable
- + ⚡ Overload protection, automatic high voltage switch off
- + ⚡ Bar ON indicator, yellow LED

Product Specifications

Static elimination Anti-static bars



NEW!

Ceramic pin holders:

- + ⚡ Better resistant against pollution
- + ⚡ Profile closed for cleaning
- + ⚡ The emitter have a quick disconnect fixation.
- + ⚡ The emitters can be pulled out by hand.

Benefits

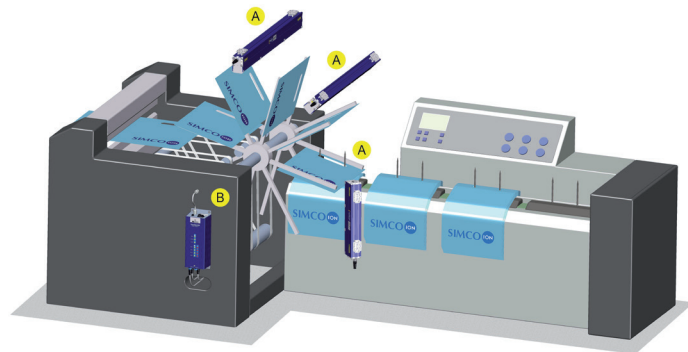
+ Long range ionisation (even up to one meter) is possible without air support, as transportmedium for the ions.

Applications

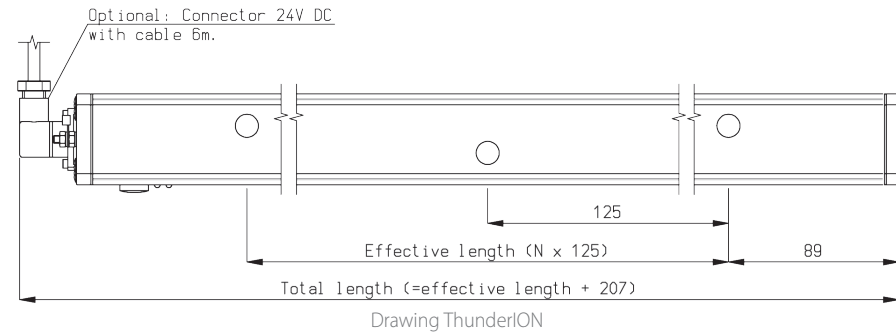
- + ⚡ Wicket type bag making machines
- + ⚡ Unwind and Rewind of film Extruders, Slitters, Flexoprinters
- + ⚡ Blow molding, Thermoforming
- + ⚡ Where long range ionisation without air support is required

Technical specifications

Working distance	300-1000 mm
Housing material	Reinforced plastic
Emitters	Special alloy
Cable	Low voltage cable
Weight	Base 0,8 kg + 1,5 kg/m
Ambient temperature	0-55 °C
Use circumstances	Industrial
Input power	24 V DC, <0,7 A
Operating voltage	30 kV DC
Suitable power unit	integrated
Approval	UL



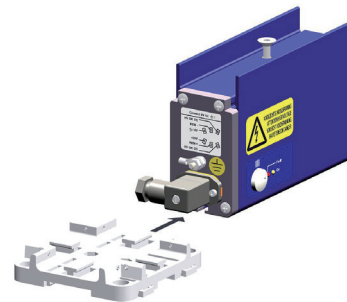
Static control on a Wicketer



Two LED's indicating: Bar ON (yellow) and Bar FAULT (Red)



Optional, the Control Module provides power and control for up to 4 ThunderION's



Supplied mounting materials

Simco-Ion Netherlands

Postbus 71
 Lochem, The Netherlands NL-7240 AB
 Tel: +31 (0)573 288333
 Fax: +31 (0)573 257319
 general@simco-ion.nl
 www.simco-ion.nl