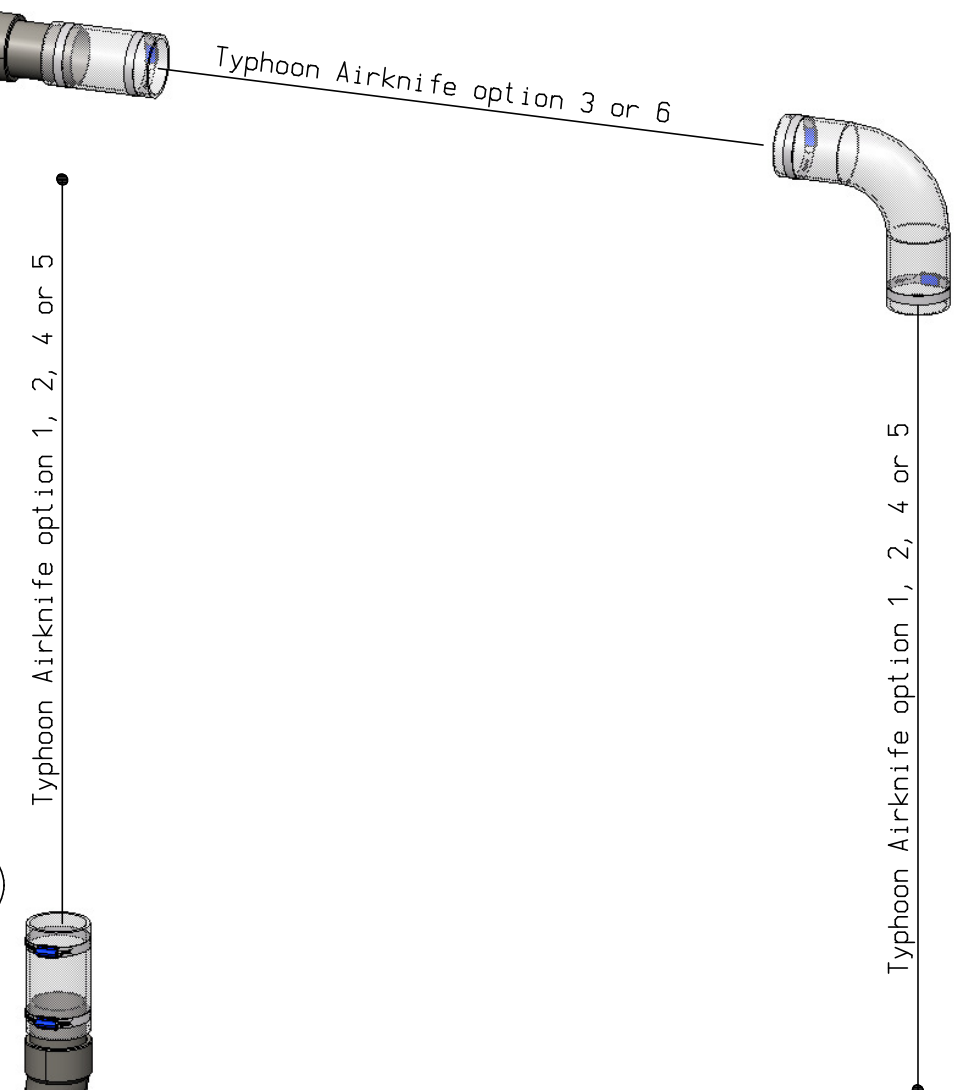
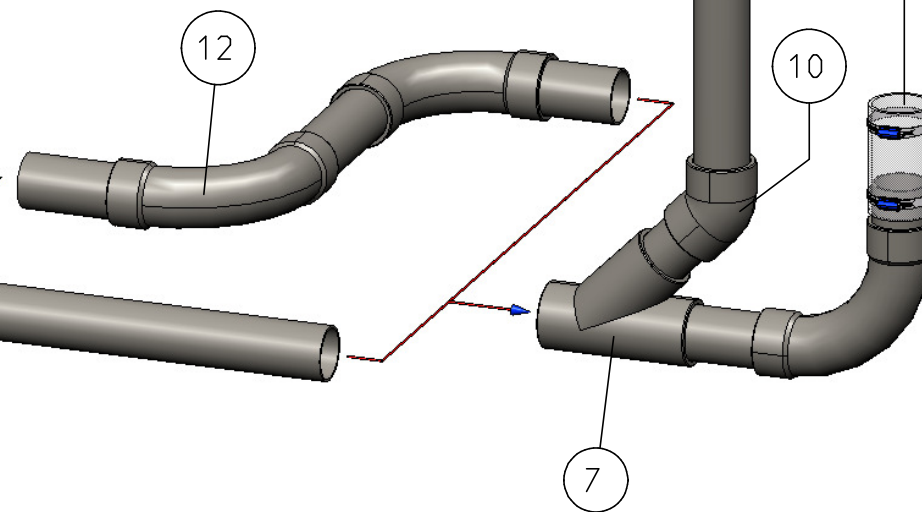
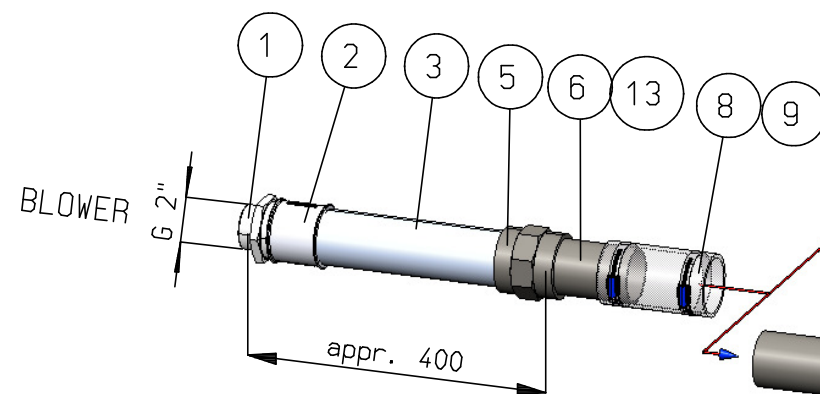


# Parts list

No.	Qa.	Part No.	Description	Dwg. No.
1	1	9290020160	Reducing nipple 2''x2½''	-
2	1	9290060154	Socket female 2½''	-
3	1	9299142005	Pipe nipple 2½''x 300mm	
5	1	9290641020	Adaptor Socket, PVC 75-2½''	
6	5 m	9850412227	PVC tube ø75 x 2,2mm	
7	1	9299150075	T-piece 45°, ID 75mm (PVC)	-
8	1,5 m	6703471075	Hose ID ø75	
9	10 (8)	9146075080	Hose clip ø80 (left)	
10	1	9299102075	Bend 45°, with sockets 75mm	-
11	3 (1)	9299080075	Socket, ID 75mm	
12	4	9299111075	Bend 90°, with sockets 75mm	
13	1	9129900006	Glue (PVC) 0,5 L	

3 (1) means 3 delivered, 1 drawn

The items, shown in the part list, provides the shown connection possibilities.



NOTE: Keep the ducting as short as possible.  
 Use minimal quantity of bends and hose.  
 Every bend, joint, connector of system accessory contributes a certain loss of pressure (friction of moving air).

Roughness acc. to ISO 1302	Dimensions tolerated acc. to ISO 129	Tolerances of form and position acc. to ISO 1101	Dimensions in mm.	-	-	-	-	-	-			
 An ITW Company www.simco-ion.nl Tel: +31 (0)573 288333				(XX) Control dim.		Rev. Description Chk. Date						
				Range (mm)	0,5 - 3	>3 - 6	>6 - 30	>30 - 120	>120 - 315	>315 - 1000	>1000 - 2000	>2000 - 4000
				middle	±0,1	±0,1	±0,2	±0,3	±0,5	±0,8	±1,2	±2
				rough	±0,15	±0,2	±0,5	±0,8	±1,2	±2	±3	±4
Name: Ducting configuration 3-50-2" (appr. 7m)								Drawn: BSG		Part no.: 1485321010		
CAD GENERATED NOT AUTOMATICALLY UPDATED				Date: 6-3-2013		M: 1:10		A3		Check: Dwg. no.: 14853210		