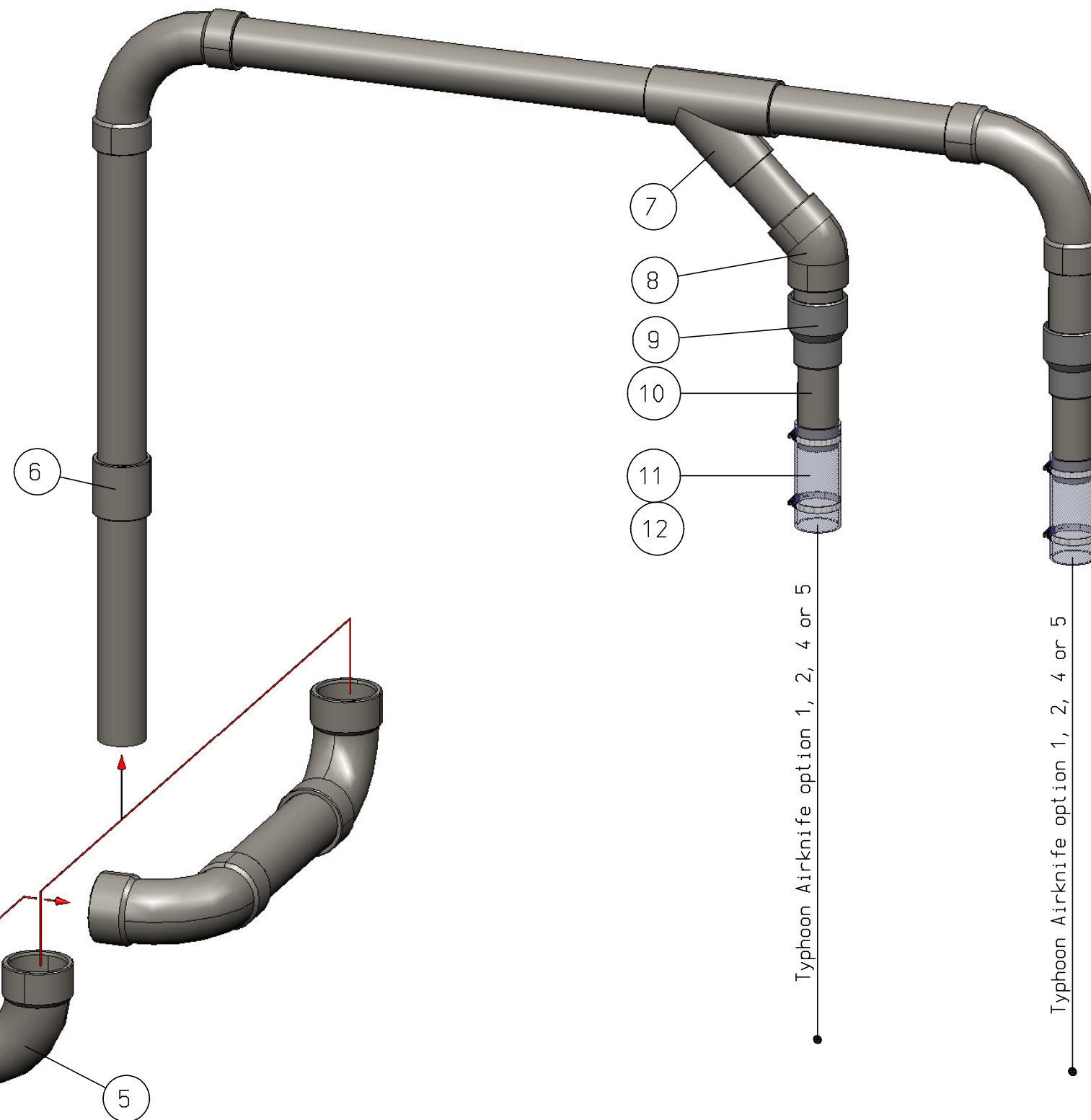
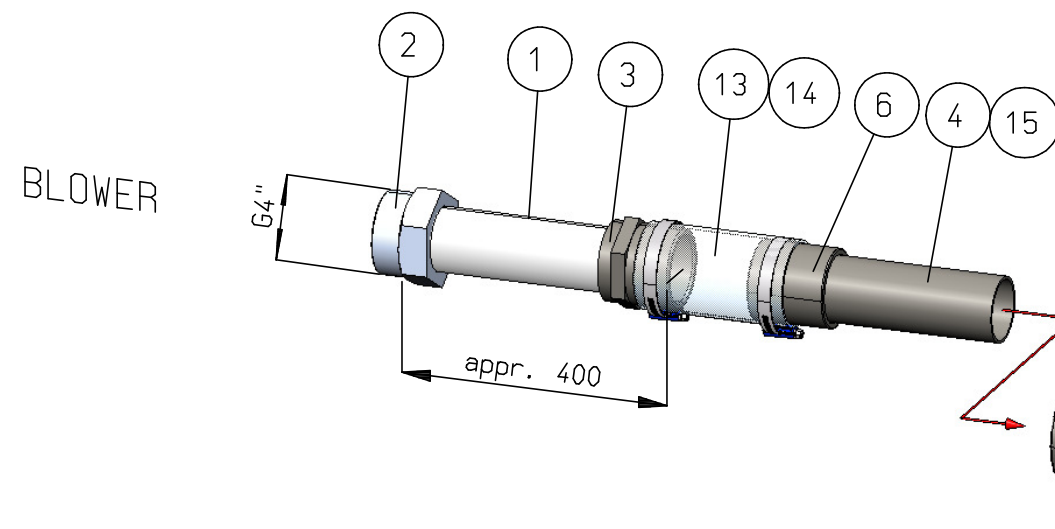


Parts list

No.	Qa.	Part No.	Description	Dwg. No.
1	1	9299143005	Pipe nipple 3''x300mm	
2	1	9290010324	Reducing nipple 4'' x 3''	
3	1	9290641030	Adaptor, socket, PVC 90-3''	
4	5 m.	9850413861	PVC tube $\varnothing 90 \times 2,7$ mm	-
5	4	9299111090	Bend 90°, with sockets 90mm	-
6	3 (2)	9299080090	Socket, ID 90	
7	1	9299150090	T-piece 45°, ID 90mm (PVC)	
8	1	9299102090	Bend 45°, ID 90mm (PVC)	
9	2	9290201518	Reducer $\varnothing 90 \times \varnothing 75$, PVC	
10	1 m	9850412227	PVC tube $\varnothing 75 \times 2,2$ mm	-
11	1,5 m	6703471075	Hose ID $\varnothing 75$	
12	5 (4)	9146075080	hose clip $\varnothing 80$ (left)	
13	0,3 m	6703471110	Hose $\varnothing 110$ mm	
14	2	9146070250	Hose clamp 104-138mm	
15	1	9129900006	Glue (PVC) $\frac{1}{2}$ L	

3 (2) means 3 delivered, 2 drawn

The items, shown in the part list, provides the shown connection possibilities



NOTE 2 : Keep the ducting as short as possible.
 Use minimal quantity of bend(s) and hose.
 Every bend, joint, connector or system accessory contributes a certain loss of pressure (friction of moving air)

Roughness acc. to ISO 1302	Dimensions tolerated acc. to ISO 129	Tolerances of form and position acc. to ISO 1101	Dimensions in mm.	-	-	-	-	-	-			
SIMCO ION An ITW Company www.simco-ion.nl Tel: +31 (0)573 288333				(XX) Control dim.		Rev. Description				Chk.	Date	
						Range (mm)	0,5 - 3	>3 - 6	>6 - 30	>30 - 120	>120 - 315	>315 - 1000
				middle	$\pm 0,1$	$\pm 0,1$	$\pm 0,2$	$\pm 0,3$	$\pm 0,5$	$\pm 0,8$	$\pm 1,2$	± 2
				rough	$\pm 0,15$	$\pm 0,2$	$\pm 0,5$	$\pm 0,8$	$\pm 1,2$	± 2	± 3	± 4
Name: Ducting configuration 4-50-4" (appr. 7m)								Drawn: BSG	Part no.: 1485421030			
CAD GENERATED NOT AUTOMATICALLY UPDATED		Date: 13-3-2013	M: 1:10	A3	Check:		Dwg. no.: 14854230					