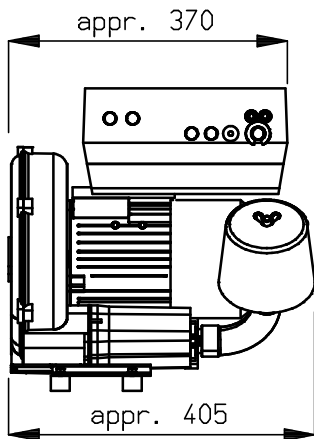
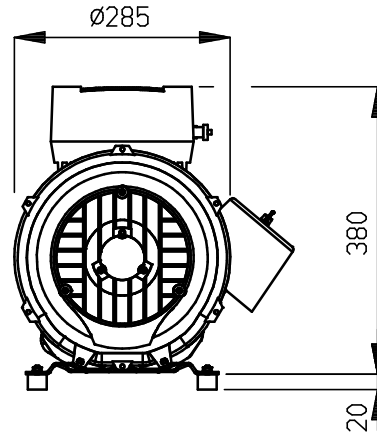


Parts list

No.	Qa.	Part No.	Description	Dwg. No.
1	1	6750290029	Blower 1,9kW, IE2, 400V, built on FC	
2	1	6750299102	Control-unit MMI handheld	
3	1	6799225214	Anti vibration feet (set)	
4	1	6751990002	Threaded flange G1½''	
5	1	6799143540	Suction filter	
6	1	6799143580	Filter element	



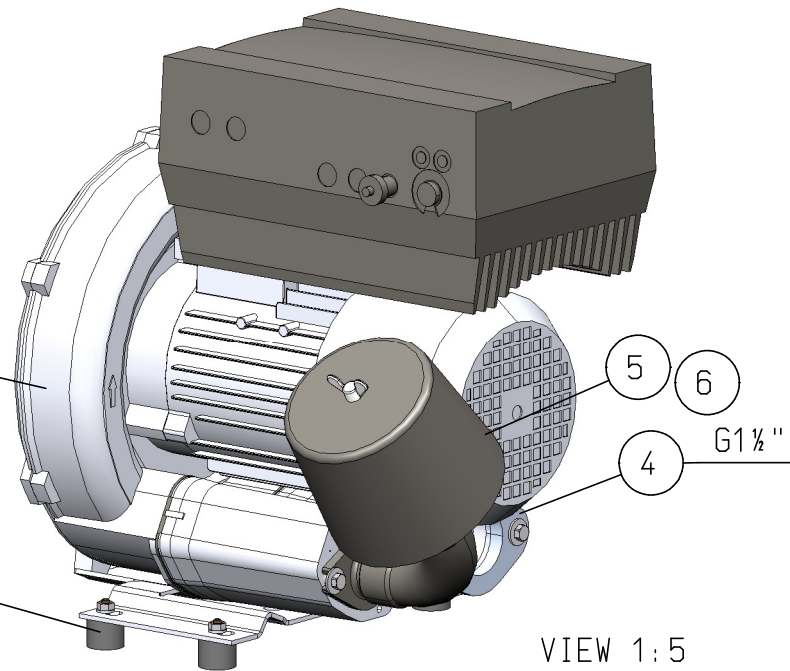
VIEWS 1:10



2

1


3



VIEW 1:5

Sound pressure level:
 63 dB(A) at 50Hz
 64 dB(A) at 60Hz
 74 dB(A) at 86Hz
 measured at a distance
 of 1m, tolerance ± 3 dB(A)
 Weight: appr. 26 kg

Make sure to place the filter in such a way
 the filter hood can be removed,
 in order to remove/replace filter element

Roughness acc. to ISO 1302	Dimensions tolerated acc. to ISO 129	Tolerances of form and position acc. to ISO 1101	Dimensions in mm.	-	-	-	-	-	-			
 <p>An ITW Company</p> <p>www.simco-ion.nl Tel: +31 (0)573 288333</p>				(XX) Control dim.		Rev. Description				Chk.	Date	
						Range [mm]	0,5 - 3	>3 - 6	>6 - 30	>30 - 120	>120 - 315	>315 - 1000
				middle	±0,1	±0,1	±0,2	±0,3	±0,5	±0,8	±1,2	±2
				rough	±0,15	±0,2	±0,5	±0,8	±1,2	±2	±3	±4
Copyright © SIMCO (NederLand) BV				Name: Blower configuration 1400 +Suct.filter + Int. FC		Drawn: BSG		Part no.: 1484140110				
CAD GENERATED NOT AUTOMATICALLY UPDATED		Date: 26-5-2014	M: 1:5	A4	Check:	Dwg. no.: 14841401						