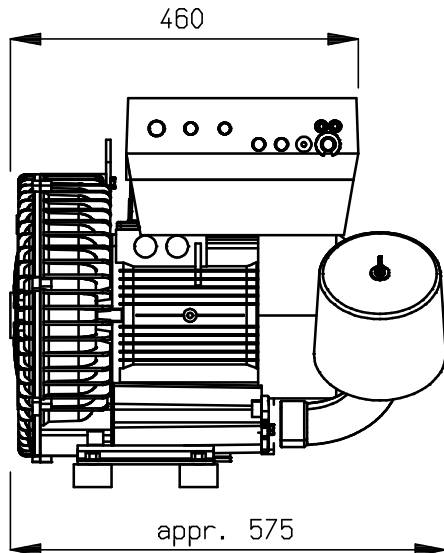
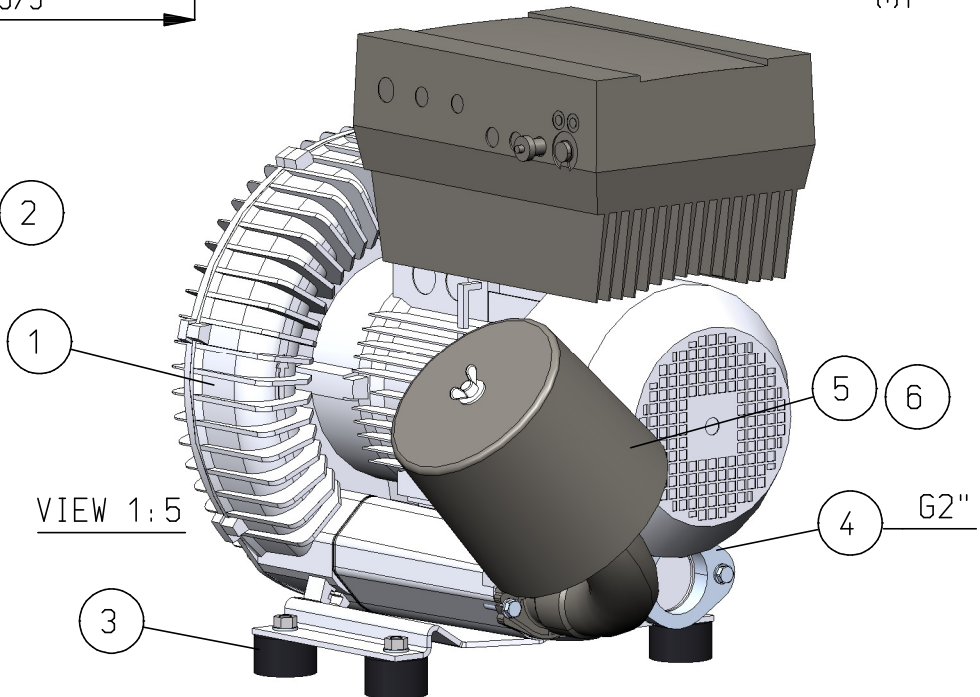
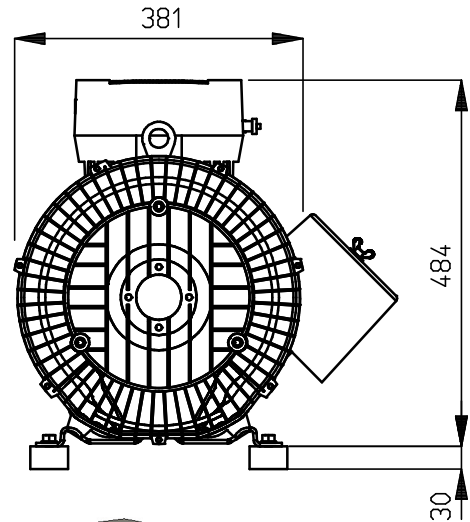


Parts list

No.	Qa.	Part No.	Description	Dwg. No.
1	1	6750290008	Blower 6,9kW, IE2, 400V, built on FC	
2	1	6750299102	Control-unit MMI handheld	
3	1	6799225216	Anti vibration feet (set)	
4	1	6751990001	Threaded flange G2''	
5	1	6799143530	Suction filter	
6	1	6799143570	Filter element	




IEWS 1:10



VIEW 1:5

Sound pressure level:
 69 dB(A) at 50Hz
 72 dB(A) at 60Hz
 80 dB(A) at 86Hz
 measured at a distance
 of 1m, tolerance ± 3 dB(A)
 Weight appr. 60 kg

Make sure to place the filter in such a way
 the filter hood can be removed,
 in order to remove/replace filter element

Roughness acc. to ISO 1302	Dimensions tolerated acc. to ISO 129	Tolerances of form and position acc. to ISO 1101	Dimensions in mm.	-	-	-	-	-	-					
 An ITW Company www.simco-ion.nl Tel: +31 (0)573 288333				(XX) Control dim.		Rev. Description			Chk. Date					
						Range [mm]	0,5 - 3	>3 - 6	>6 - 30	>30 - 120	>120 - 315	>315 - 1000	>1000 - 2000	>2000 - 4000
				Copyright ©		middle			±0,1		±0,1		±0,2	
				SIMCO (Neder)land BV		rough			±0,15		±0,2		±0,5	
Name: Blower configuration 1600 +Suct.filter +Int.FC						Drawn: BSG		Part no.: 1484160110						
CAD GENERATED NOT AUTOMATICALLY UPDATED		Date: 2-6-2014		M: 1:5		A4		Check:		Dwg. no.: 14841601				