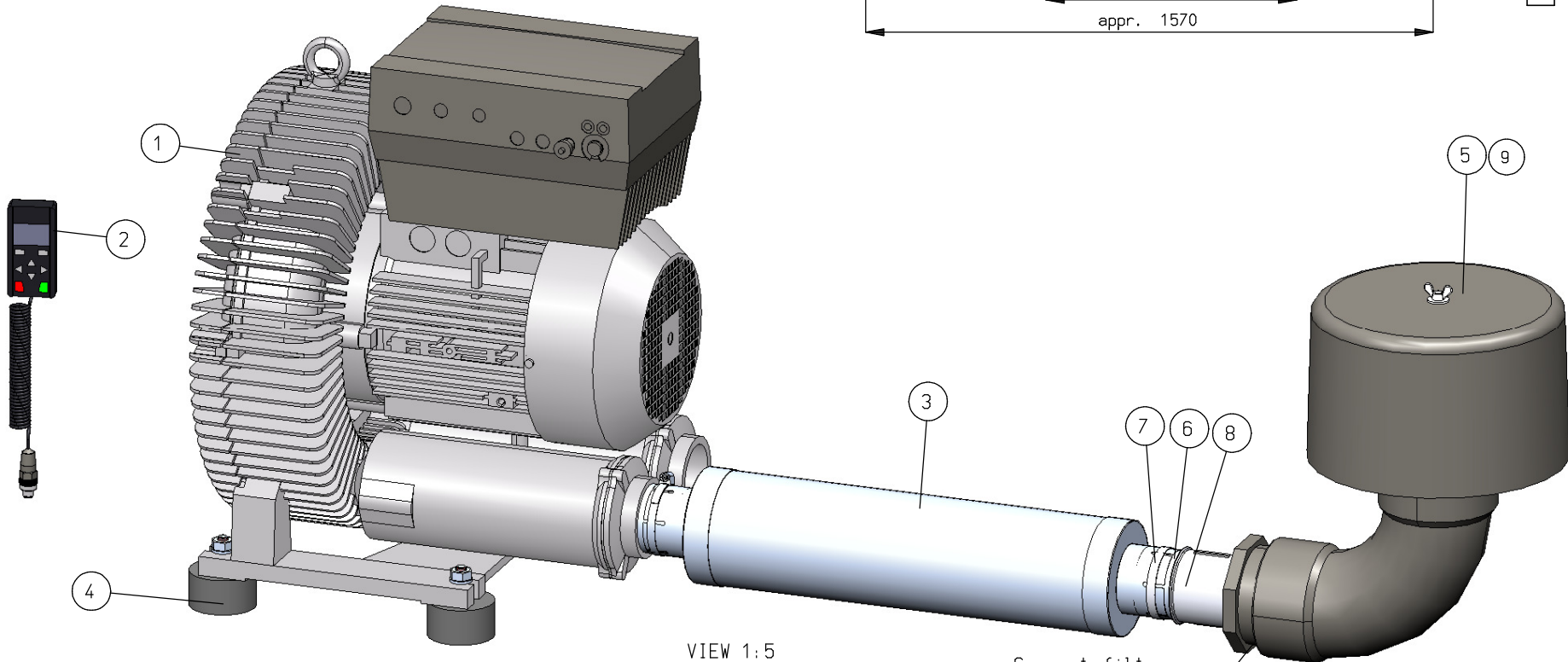
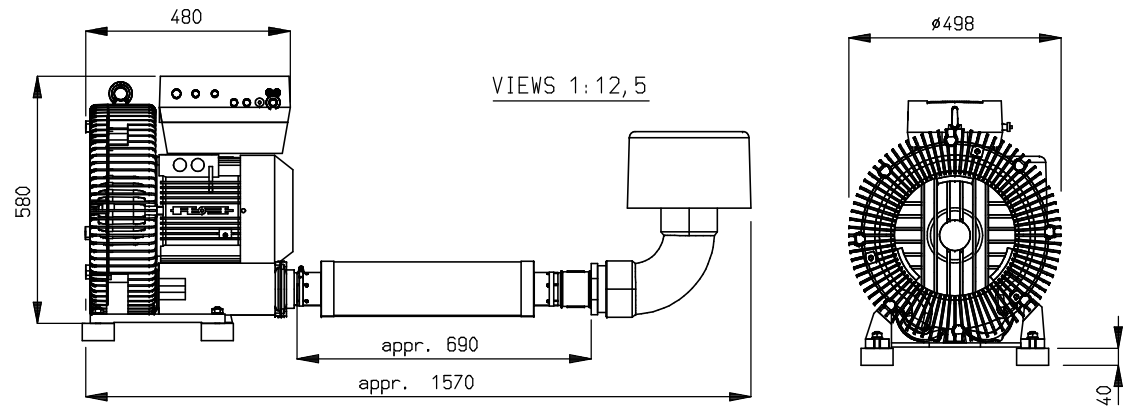


Parts list

No.	Qa.	Part No.	Discription	Dwg. No.
1	1	6750290007	Blower 7,7kW, IE2, 400V, built on FC	
2	1	6750299102	Control-unit MMI handheld	
3	1	6799225210	Inline silencer	
4	1	6799225218	Anti vibration feet (set)	
5	1	6799143510	Suction filter	
6	1	6799225209	Nipple 2½''	
7	1	9146070200	Hose clamp 65-85mm	
8	1	9290060154	Socket female 2½''	
9	1	6799143560	Filter element	



Support filter
when using silencer

NOTE: Sound pressure level 62 dB(A) at 50Hz
 Sound pressure level 66 dB(A) at 60Hz
 Sound pressure level 73 dB(A) at 72Hz
 when using inlet silencer (8 dB(A))
 measured at a distance of 1m, tolerance ± 3 dB(A)
 total weight: appr. 160 kg

Roughness acc. to ISO 1302	Dimensions tolerated acc. to ISO 129	Tolerances of form and position acc. to ISO 1101	Dimensions in mm.	Rev.	Description	Chk.	Date							
-	-	-	-	-	-	-	-							
SIMCO ION An ITW Company www.simco-ion.nl Tel: +31 (0)573 288333				(XX) Control dim. Copyright © SIMCO (NederLend) BV		Range (mm)								
						0,5 - 3	>3 - 6	>6 - 30	>30 - 120	>120 - 315	>315 - 1000	>1000 - 2000	>2000 - 4000	
						middle	+0,1	+0,1	+0,2	+0,3	+0,5	+0,8	+1,2	+2
						rough	+0,15	+0,2	+0,5	+0,8	+1,2	+2	+3	+4
Name: Blower configuration 1800 +Suct.filter +Int.FC 7,7kW				Drawn: BSG		Part no.: 1484180110								
CAD GENERATED NOT AUTOMATICALLY UPDATED		Date: 2-6-2014		M: 1:5 A3		Check:								
						Dwg. no.: 14841801								