

PERFOMASTER PART NUMBERS

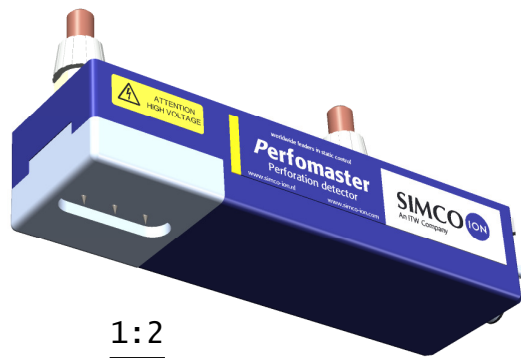
- 0930076100, with Head, HV control voltage 0-10 v
- 0930076101, with Head, HV control voltage 0-24 v
- 0930076000, without Head, HV control voltage 0-10 v
- 0930076001, without Head, HV control voltage 0-24 v

AVAILABLE ELECTRODE HEADS

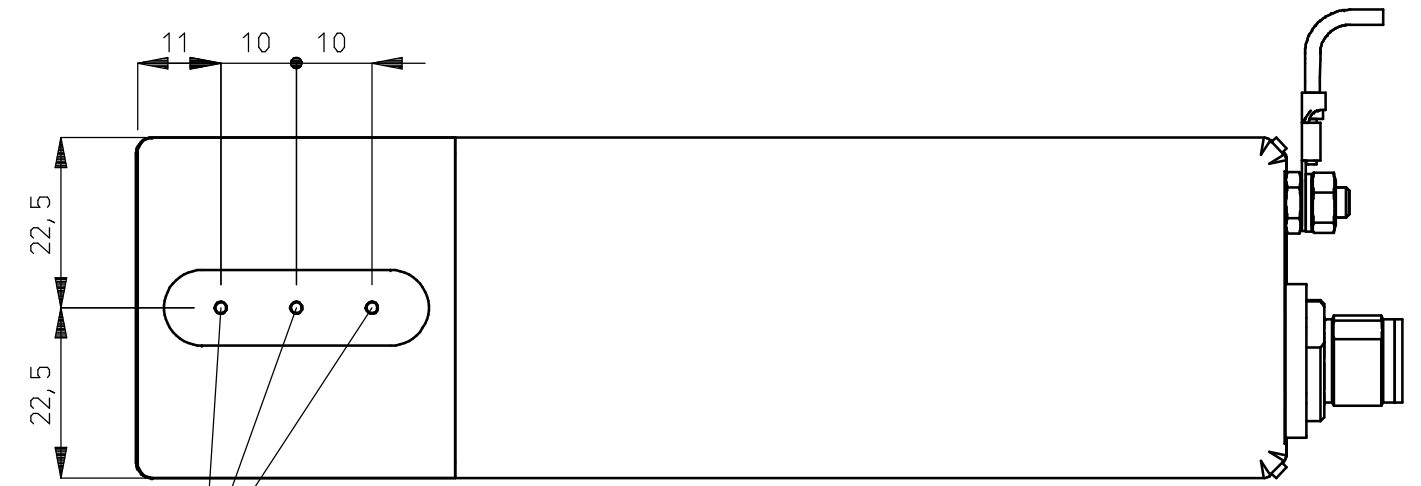
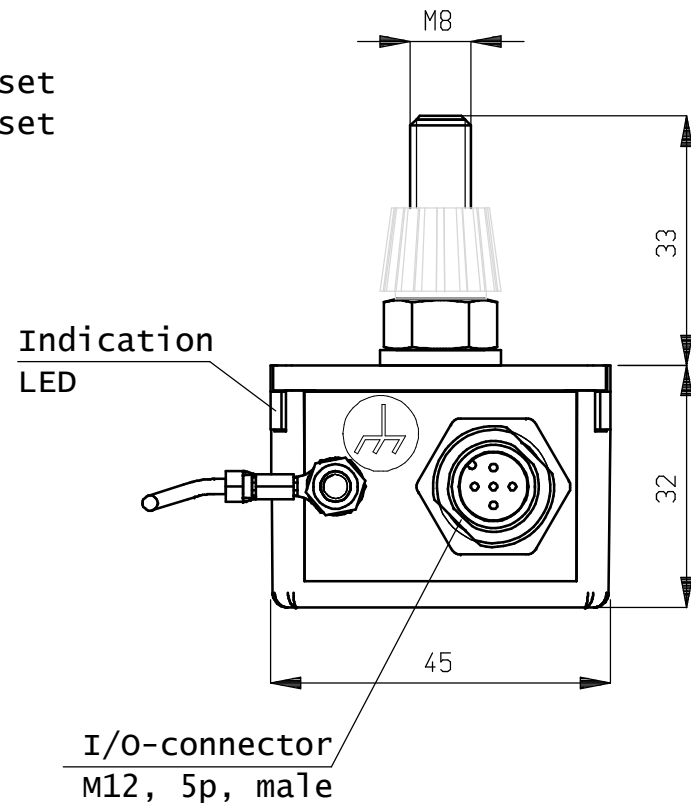
- 3930000000, Head 3p, 4M7, with sharp electrodes (default)
- 3930000001, Head 3p, 4M7, with round electrodes
- 3930000010, Head 3p, 1M, with sharp electrodes
- 3930000011, Head 3p, 1M, with round electrodes

SPARE ELECTRODES

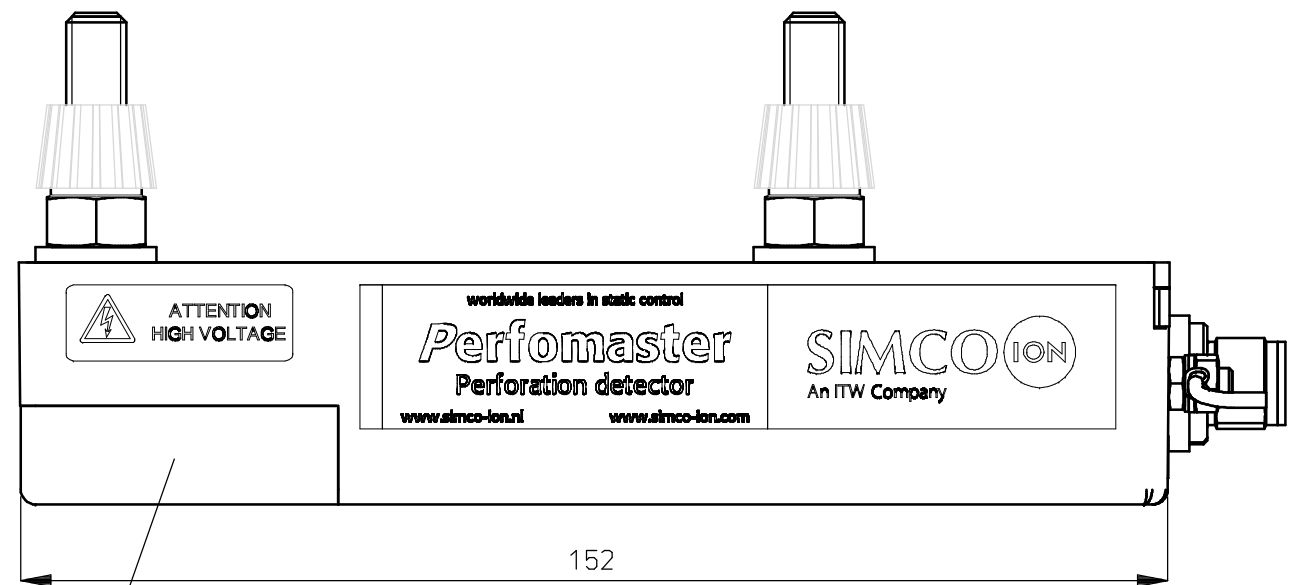
- 3930000100, sharp electrodes 3 set
- 3930000101, round electrodes 3 set



1:2



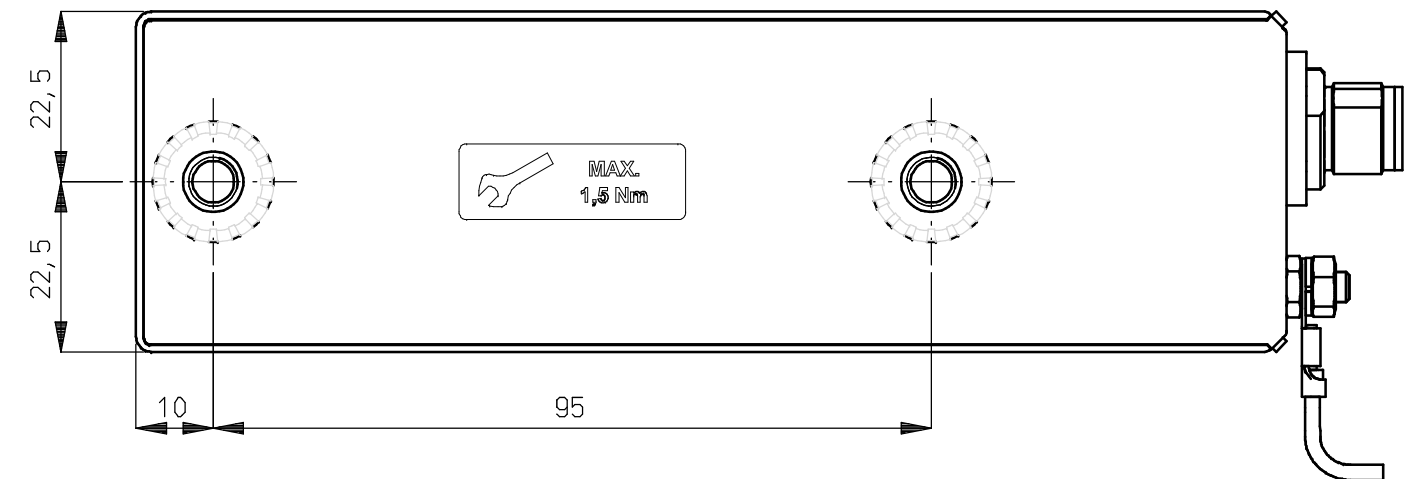
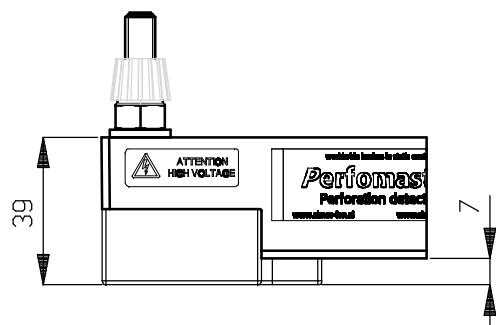
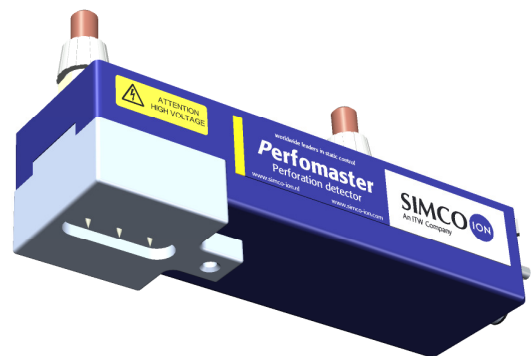
Replaceable electrodes



Replaceable electrode head

OPTIONAL HIGH HEADS

- 3930000150, Head High 3p, 4M7, with sharp electrodes
- 3930000151, Head High 3p, 4M7, with round electrodes
- 3930000160, Head High 3p, 1M, with sharp electrodes
- 3930000161, Head High 3p, 1M, with round electrodes



SIMCO ION An ITW Company www.simco-ion.nl Tel: +31 (0)573 288333		Name: Perforation detector type Perfomaster				Drawn: AB	Part no.: 0930076xxx
CAD generated NOT updated	Dimensions in mm	Date: 12-11-2021	A3	M: 1:1	ECN2019-014	Check: -	Dwg. no.: 09300000/D