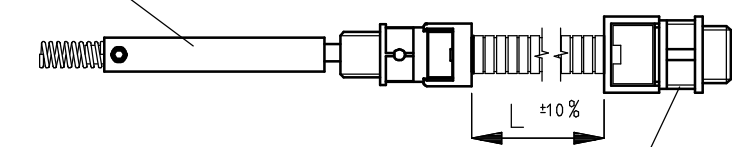
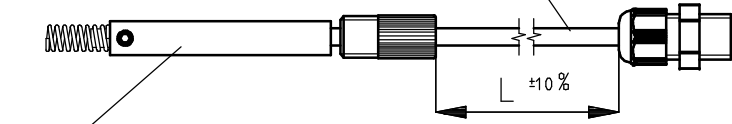


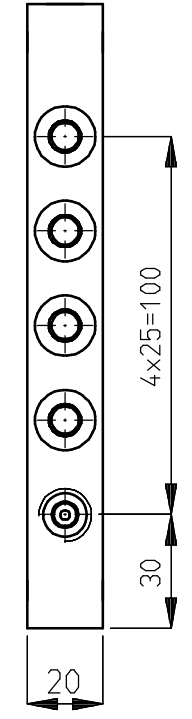
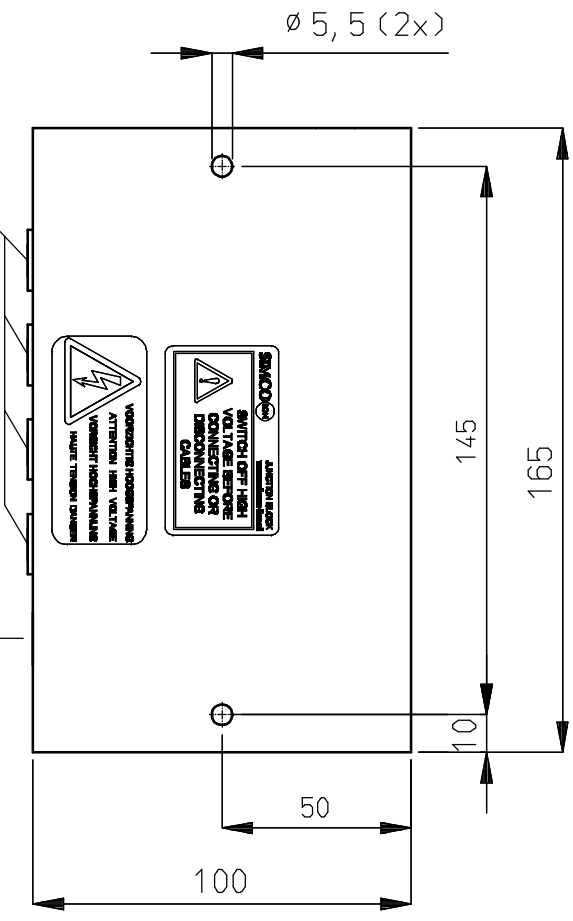
4x output for spring loaded  
30 kV connector (A3713)

Options:  
- HV-cable.  
- silicone HV-cable.  
- flexible silicone HV-cable.

HV-input connected to HV-generator  
Connector type HV-A3713 (part no. 2105000005)



Options:  
- protected HV-cable.  
- protection (highly flexible) with  
flexible silicone HV-cable



Max 30kV

 An ITW Company	Name: Junction block 4 pos. 30 kV DC					Drawn: MVN	Part no.: -
	CAD generated NOT updated	Dimensions in mm	Date: 31-08-2000	A3	M: 1:2	ECN2011-070	Check: -